

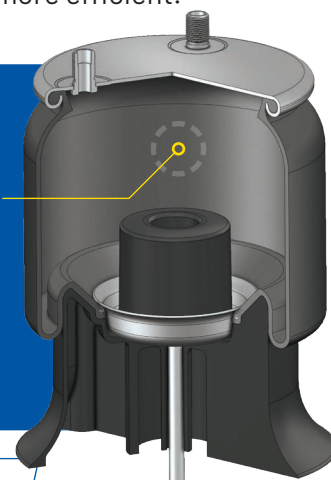


INTRODUCING PART NO. 1R12-1224 THE NEW GOODYEAR® AIR SPRINGS SUPER CUSHION®

The latest innovation in air suspension technology is here: **Part No. 1R12-1224 Goodyear® Air Springs Super Cushion®!** Designed to deliver a smoother, safer ride, this advanced air spring enhances driver comfort by reducing fatigue and improving control, even on the toughest roads. With superior shock and vibration isolation, your cargo stays protected while wear and tear on vital vehicle components is minimized, keeping your fleet on the road longer. Plus, with consistent trim and clearance for easier loading and unloading, Super Cushion® air springs make every job more efficient.

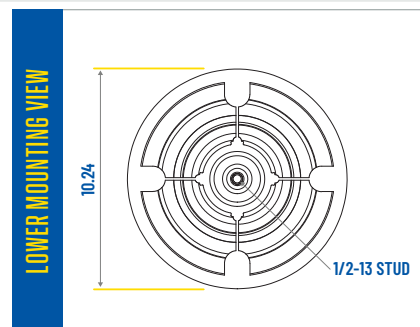
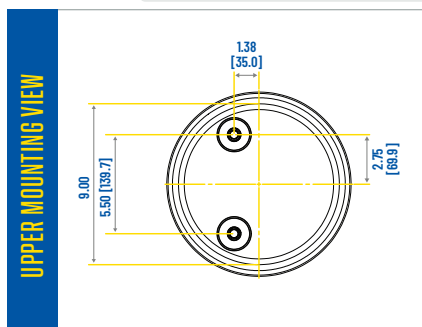
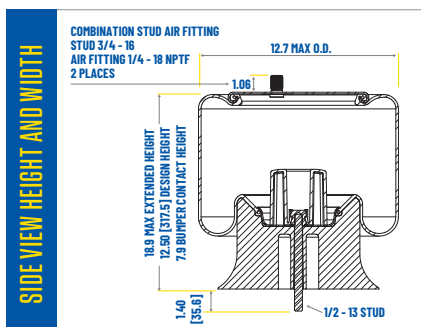


Engineered with proprietary materials and innovative design to deliver exceptional durability, reduced weight, and enhanced ride comfort. Features like factory alignment, textile reinforcement, and superior vibration isolation help extend equipment life and protect valuable cargo.



PART NO. 1R12-1224

Improved Design for Quicker, Smoother Installation.



Goodyear Part #	Cross Reference	OE Part #	List Price
1R12-1224	Goodyear - 1R12-1179	S-28929	Call for pricing: (877) 897-3469 or your sales representative
	Firestone - W01-358-9978		
	ContiTech 67588; AS9978		



Infinity Engineered Products HQ
3524 Southwestern Blvd.
Fairlawn, OH 44333

Customer Service: **(877) 897-3469**



Goodyear (and Winged Foot Design) are trademarks of or licensed to The Goodyear Tire & Rubber Company or Goodyear Canada Inc. used under license by Infinity Engineered Products, 3524 Southwestern Blvd, Fairlawn, OH 44333. © 2025 The Goodyear Tire & Rubber Company. © 2025 Infinity Engineered Products. All rights reserved.